



WECHAT



WEB

Welcome to HEARKEN

Actuators and Controls

**Hearken
Here We
Can**

The Trusted, Passionate and focused Partner in Valve Automation

At HEARKEN FLOW, The founding principle of Hearkenflow is simple: to Listen our customers needs first, to develop the innovative valve actuators solutions , to meet the unique needs of our customers, Along the way, To help our customers to solve the problems in Valve Automation. We are growing our brand in Pneumatic and Electric Actuators, Accessories..



IP68



Experienced team



Large inventory



Convenient consultation

WHY WE ARE DIFFERENT

We offer a complete valve automation solution by the applications experience and customization capabilities, with an experienced support team to guide you in selection, installation, and project support. In addition we maintain an extensive supply of product inventory on hand so that we can quickly fulfill orders and reduce wait times. Our sales and support staff are readily available and accessible so that customers get the answers they need quickly.

THE TARGET WE ARE PURSUING



High-quality



low cost



Reliable solution

- To build A strong Reputation in Providing Quality, Cost Effective , Reliable And Robust Performance Solutions for Valve Automation,
- Included Pneumatic Actuators, Electrically Actuators, Actuated Valves.



COMMITMENT TO QUALITY

At HEARKEN FLOW means performance, All products manufactured by HEARKEN FLOW are warranted against defects in material and workmanship for a period of 18 months from the day of startup. Each of our products are tested at the factory. we are confident that our products meet or exceed all applicable standards before they ever leave our facility. We are an ISO 9001-2008 certified company. Our Valve Actuators Has Applied for SIL3 Certificate, ATEX Certificate ,CE,Explosion-proof Certificate, IP68 Weather proof etc....

HVM-1/ITS100 Series Valve Monitor

Description



HVM-1 Series Valve Position Monitor is a compact, weatherproof enclosure with internal adjustable position switches and an external visual indication. It has NAMUR standard mounting and drive, and is ideally suited for mounting on to quarter turn actuators and valves...

Design



HVM-1 Series Valve Position Monitor applies compact design to offer a mini-type weather proof Protection in aluminum die-cast enclosure and O-ring. The bracket is designed according to ISO 5211 and NAMUR standard.



Main Features and Characteristics



- Solid and compact design aluminium die-cast housing with polyester powder coated finish
- Bolt-on Visual Position Indicator
- “Quick-Set” spring loaded splined cam. No need to adjust again after initial setting. Easy setting without tools
- Dual cable entries
- Captive cover bolts to prevent loss when cover is removed
- NAMUR standard stainless steel shaft and bracket
- Omron switches

HVM-1 SERIES VALVE POSITION MONITOR

MECHANICAL SWITCHES: 2 x SPDT
 SWITCH APPROVAL: IP 67 ENCLOSURE
 RATINGS: 16A 1/2HP 125/250VAC
 0.6A 125VDC, 0.3A 250VDC



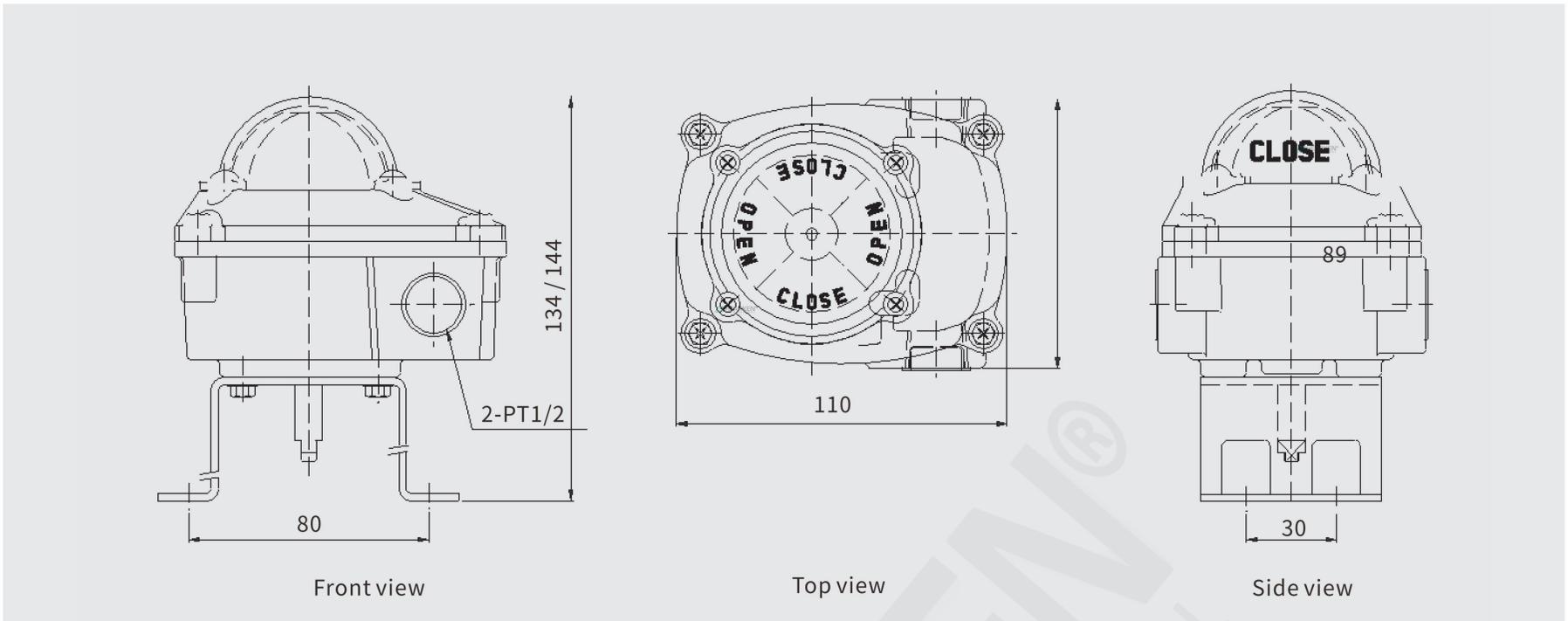
Standard Specification

Specification	Model	HVM-1 Series
Enclosure		Weatherproof IP67/NEMA4&4X
Cable entries		Two NPT1/2"
Ambient temperature		-20°C~80°C
Terminal strips		8 points (0.05-2.5mm ²)
Position indicator		0~90° (90° turn free join) close:red open:yellow
Switches		Mechanical switch x2 proximity sensor x2
Painting		Chromate Polyester powder coating(black)

Material of Parts

Housing Cover& Body	Aluminum die casting	O-ring	NBR
Shaft	Stainless steel	Bushing	Bronze
Indicator cover	Polycarbonate	E-ring(Shaft)	Stainless steel
Cam	Polycarbonate	Earth Lug	Stainless steel
Spring	Stainless steel	Indicator	ABS/Polycarbonate
Housing cover bolt	Stainless Steel	Bracket	Stainless steel

Dimension Unit:mm Standard Namur Shaft



Mounting Bracket Namur Standard

HVM-1 Series Weatherproof
— (Acc. to VDI/VDE3845)

Adjustable bracket

	<p>A 30 x 80 x 20(H)</p>	
	<p>B 30 x 80 x 30(H)</p>	
	<p>C Stainless steel bracket 30 x 130 x 30(H)</p>	
	<p>D 30 x 80 x 20(H), 30 x 80 x 30(H) 30 x 130 x 20(H), 30 x 130 x 30(H)</p>	

